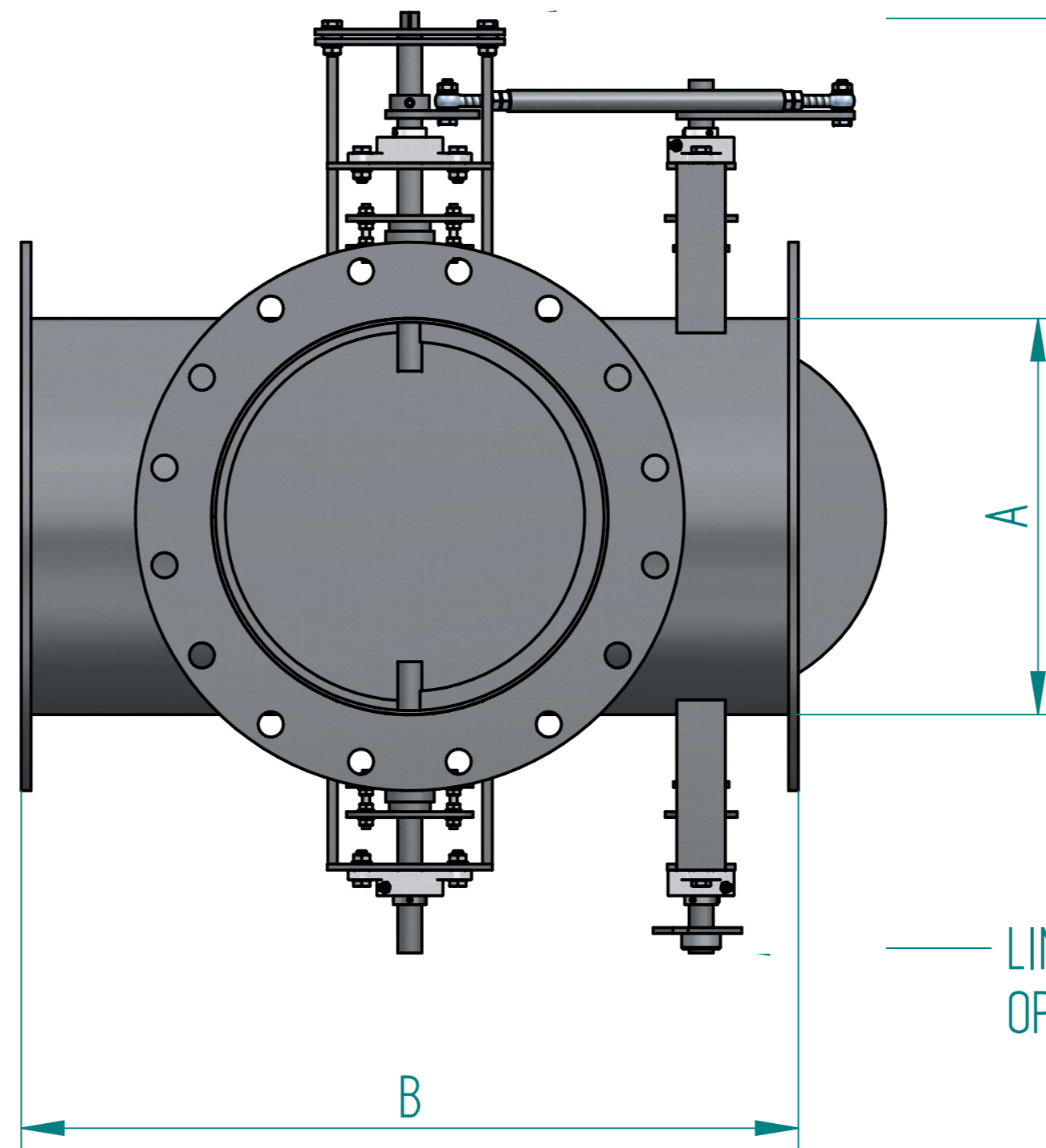
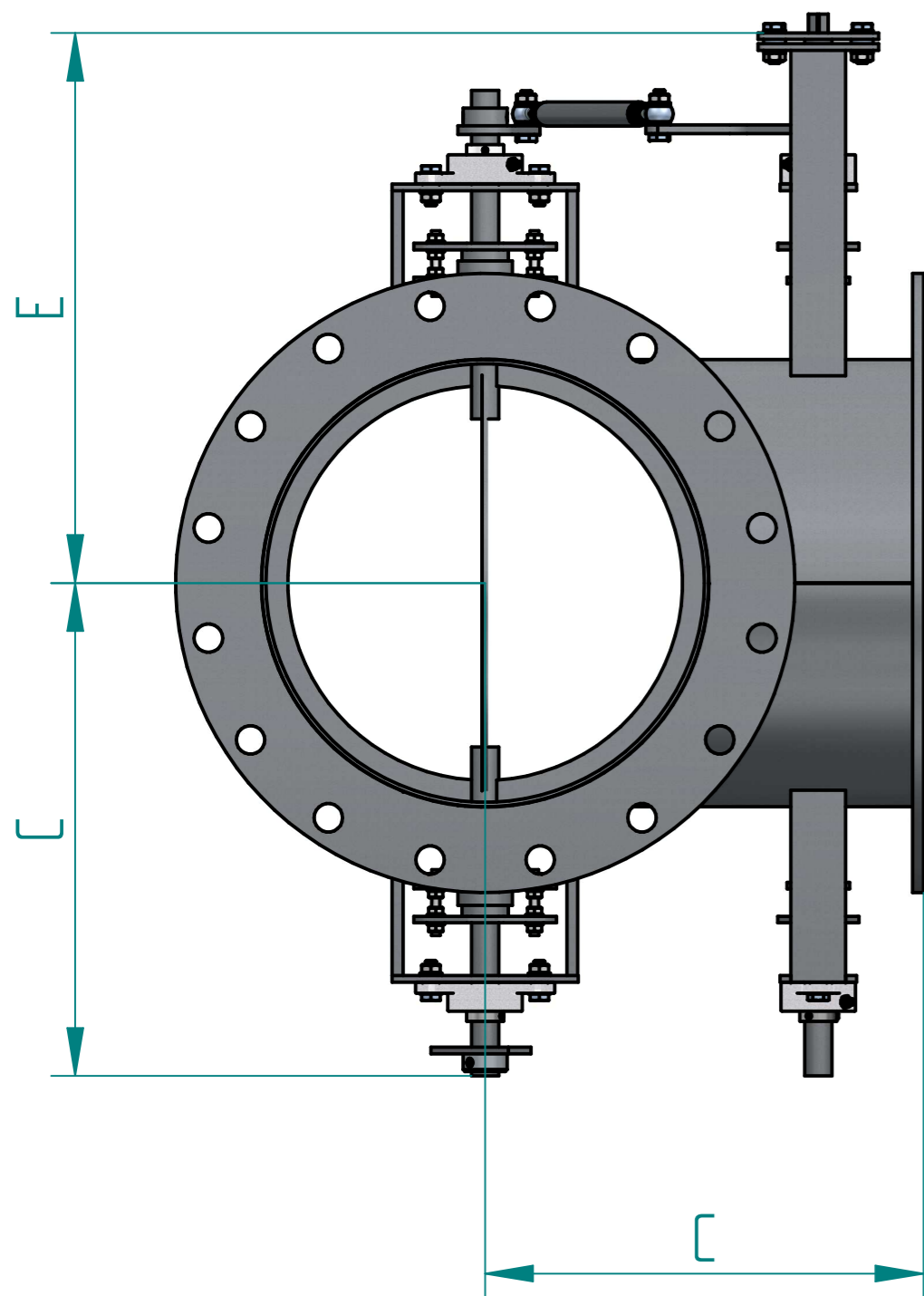
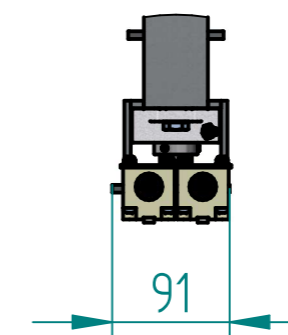
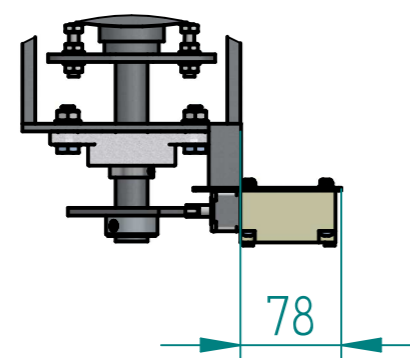


SERIE 38	A	B	C	D	E
Nw 125	158	300	200	193	196
Nw 150	158	300	200	193	196
Nw 200	213	400	200	335	407
Nw 250	248	500	250	347	427
Nw 300	319	600	300	400	464
Nw 350	350	700	350	428	480
Nw 400	400	800	400	450	504
Nw 450	450	900	450	470	530
Nw 500	509	1000	500	495	555
Nw 600	600	1200	600	570	706
Nw 700	700	1400	700	660	755
Nw 800	800	1600	800	670	800
Nw 900	900	1800	900	720	850
Nw 1000	1000	2000	1000	770	905
Nw 1200	1200	2400	1200	870	1000



ACTUATOR  
OPTIONAL

LIMIT SWITCHES  
OPTIONAL



Design temperature: 550 C  
 Design pressure: 5000 Pa  
 Body: AISI 304 Stainless Steel  
 Shaft & Blade: AISI 316 Stainless Steel  
 Bearing system: High Temperature Ball bearings

Manufactured in EU-Benelux countries  
 Supplied by mdt co. [www.mdtko.com](http://www.mdtko.com) **mdt**