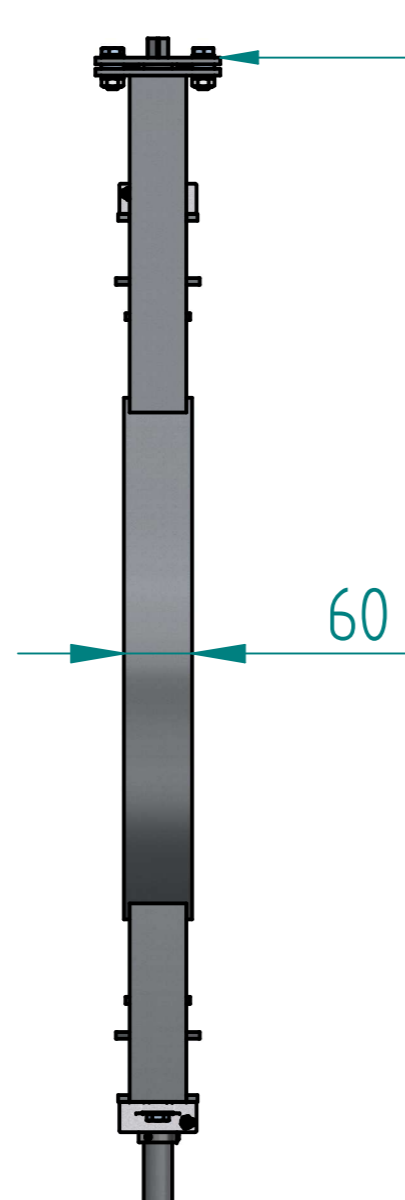
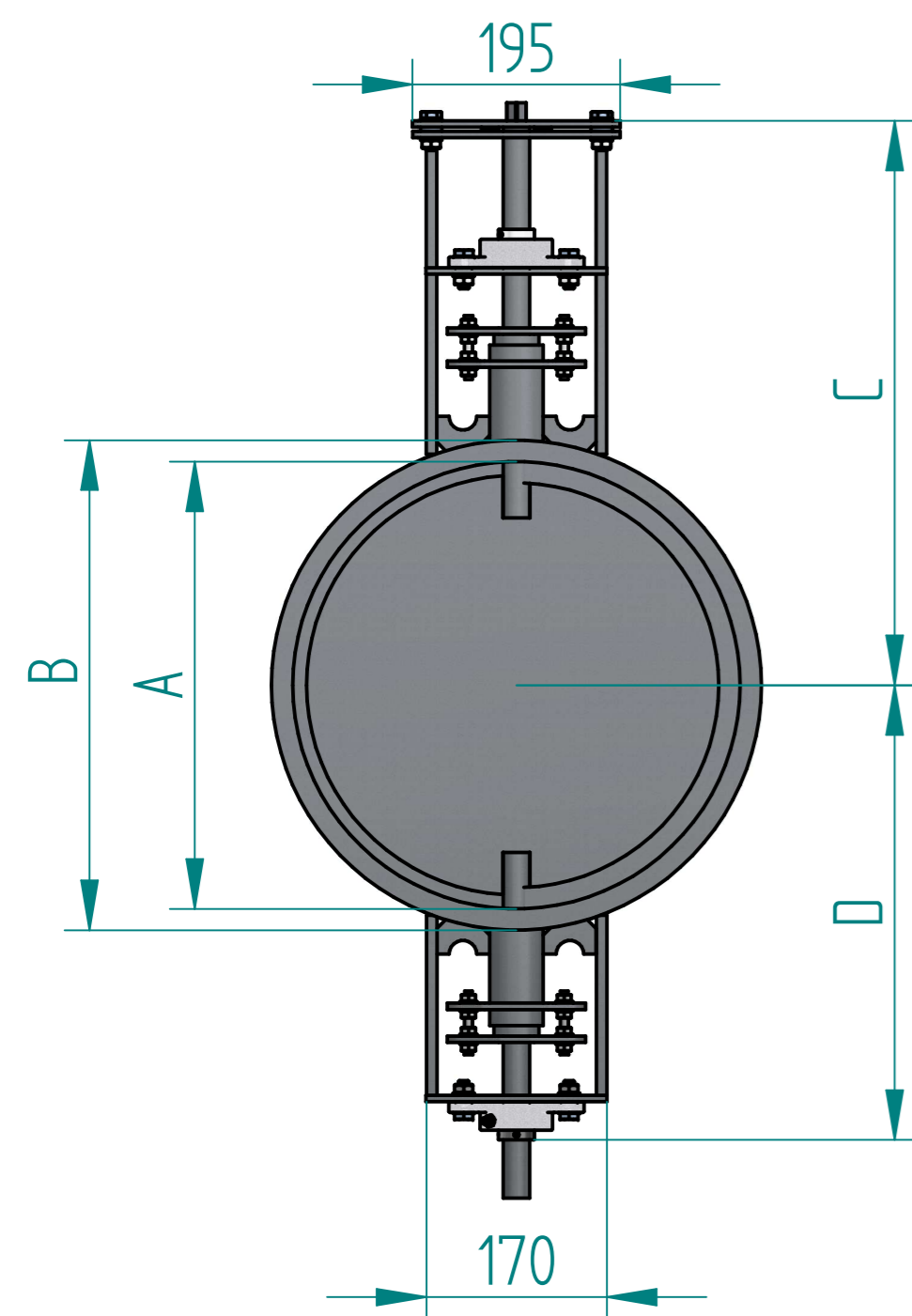


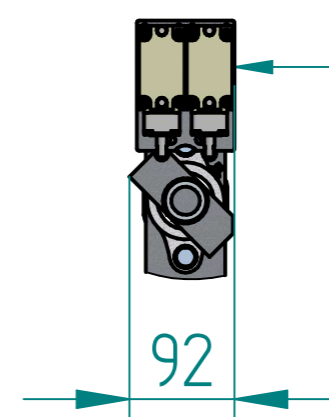
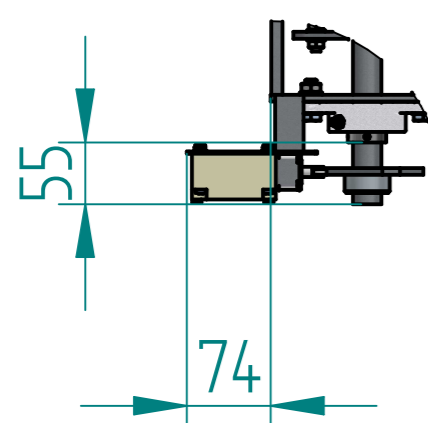
ACTUATOR OPTIONAL



F 05-07
F 07-10

□ 14-45°

	A	B	C	D
Nw 200	212	242	406	304
Nw 250	288	318	453	349
Nw 300	338	368	480	377
Nw 350	350	390	492	402
Nw 400	420	460	530	425
Nw 450	450	490	541	442
Nw 500	500	540	572	468
Nw 600	600	640	623	520
Nw 700	710	750	680	576
Nw 800	800	840	724	622
Nw 900	900	940	777	673
Nw 1000	1000	1040	827	723



LIMIT SWITCHES
OPTIONAL

Design temperature: 550 C
Design pressure: 5000 Pa
Body: AISI 304 Stainless Steel
Shaft & Blade: AISI 316 Stainless Steel
Bearing system: High Temperature Ball bearings

Manufactured in EU-Benelux countries
Supplied by mdt co. www.mdtco.com **mdt**